

BI-FOLD

SYSTEM

Sightline

Jamb 100 mm, Meeting Stile 120 mm

Polyamide Strip Length

Frame 20 mm

Sash 30 mm

Profile Thickness

Door 1.8 mm

Glazing

Max. 45 mm, Min. 25 mm

Maximum Sash Dimensions

Width (L) 1200 mm, Height (H) 3000 mm

Maximum Sash Weight

120 kg

Consult maximum weight and dimensions according to typologies



BI-FOLD SYSTEM



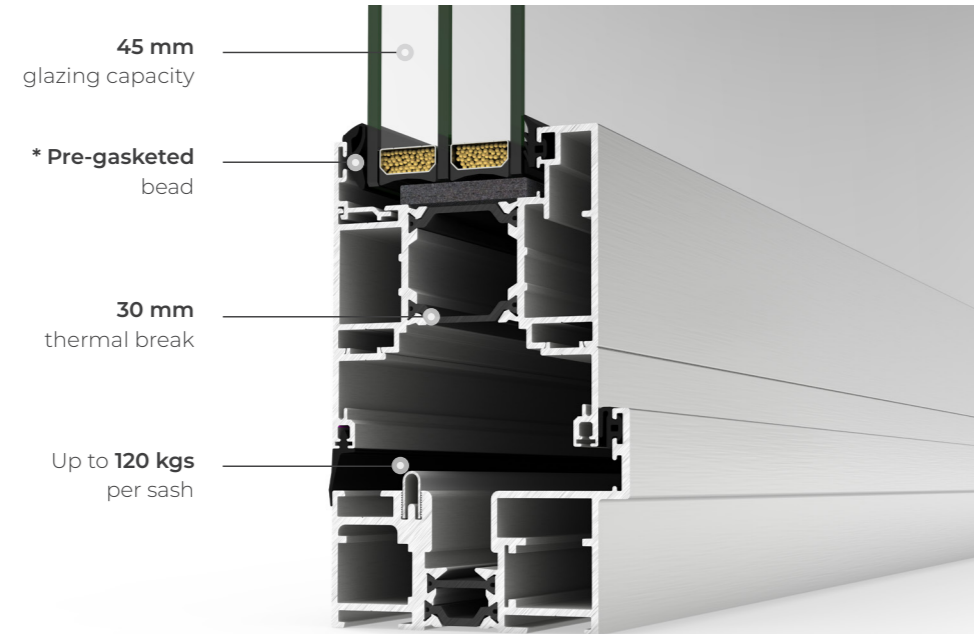
- Maximum sizes 1200 mm (w) x 3000 mm (h)
- Open corner solution
- Up to 14 sashes
- Adjustable jamb available
- High security

BFRC Rating
kWh/(m²yr)

≥20	A ++
>10 to <20	A +
0 to <-10	A
-10 to <0	B
-20 to <-10	C ✓
-30 to <-20	D
-50 to <-30	E

Double glazing

Bi-fold door system with 73 mm of frame depth and optimal thermal and acoustic performances, ideal for moderate climates.

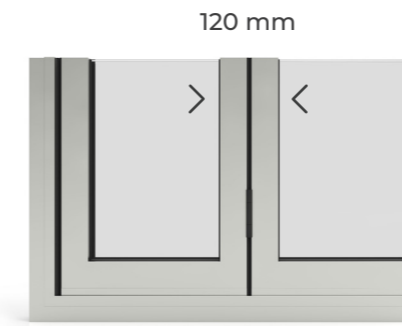


* Available for 24 and 28 mm glazing only

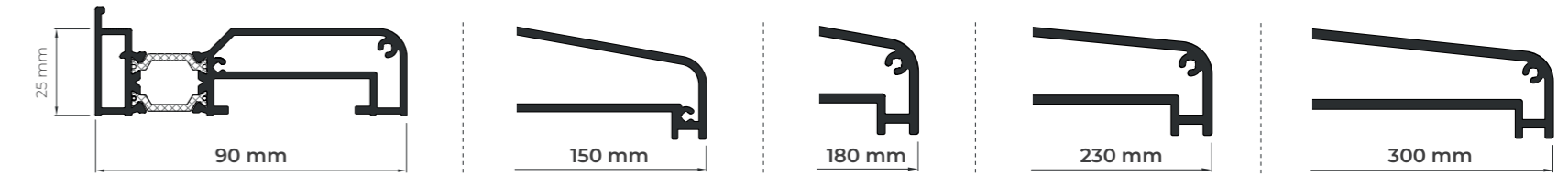


FEATURES			
U value		Double glazing * Uw from 1.5 (W/m ² K)	Triple glazing * Uw ≥ 1.1 (W/m ² K)
Air permeability		Class 4	
Water tightness		Class 9A	
Wind resistance		Class A3	
Security test		PAS24 ✓	Passed

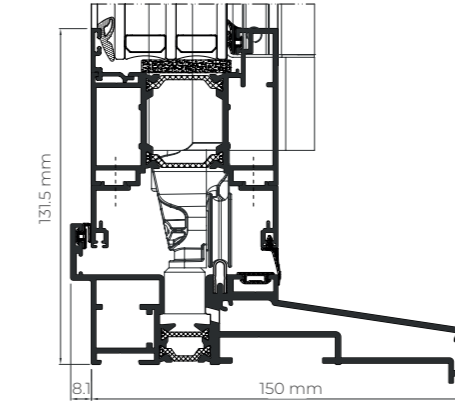
* Double glazing Ug= 1.0 / Triple glazing Ug= 0.5
Wind resistance: reference test 2.700 x 2.530 m / 3 sashes
Security test: Configuration 330. 2701 x 2517 mm / 3 sashes



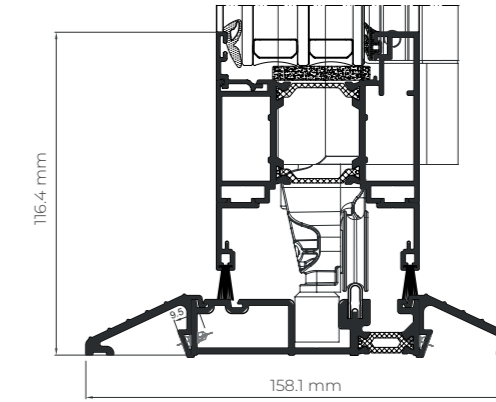
DRAINAGE SUBCILLS



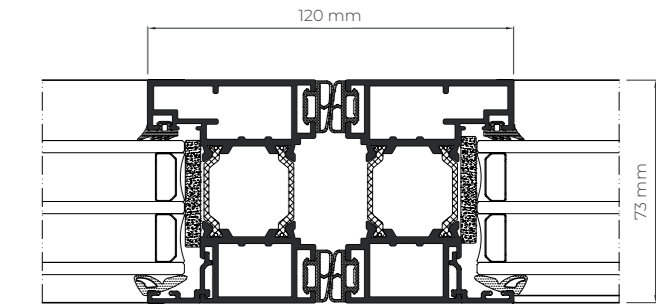
INTEGRATED CILL



THRESHOLD

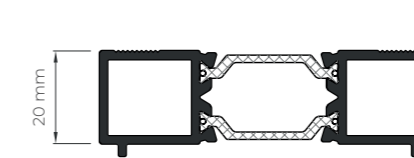


SLIM SIGHTLINES

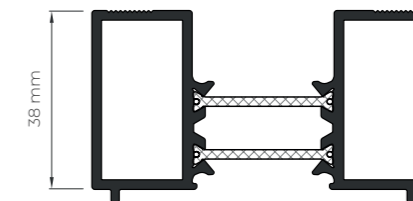


HEAD EXTENSION

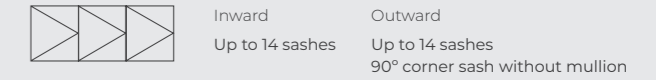
Head Extension 20 mm



Head Extension 38 mm



OPENING POSSIBILITIES



POSSIBILITIES

